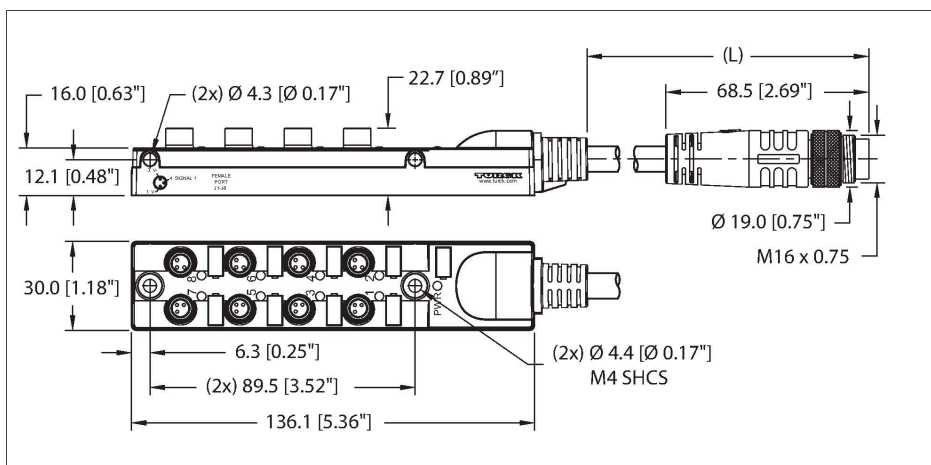


TB-8M8M-3-0.2-BSM14

Junction Box - Actuator/Sensor, 8-port – M8, 3 pole I/O port with cable homerun



Technical data

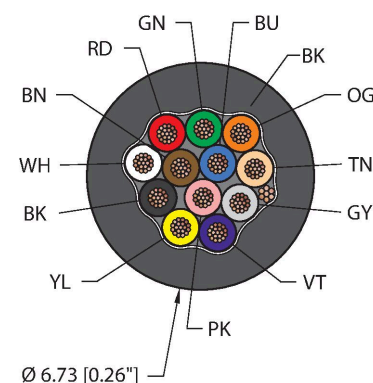
| | |
|---------------------------------|---|
| Type | TB-8M8M-3-0.2-BSM14 |
| ID | UX18594 |
| Distributed I/O | Junction box, 8, with M16 homerun connector |
| Housing | Plastic, PA 6 GF30, Black |
| I/O Port | Female, M8 × 1 |
| Design specification | Acc. to IEC 61076-2-104 |
| Number of contacts | 3 |
| Contacts | Brass, CuZn, Gold-plated |
| Contact carriers | Plastic, PA 4.6 GF30, Black |
| Connector seal | O-ring, Plastic, FKM/FPM |
| Housing material/finish | Brass, CuZn, Nickel-plated |
| Mechanical life | > 100 Mating cycles |
| Pollution degree | 3 |
| Protection class (When coupled) | IP67, IP68, IP69, IP69K |
| | NEMA: 1, 3, 4, 6P, 12 |
| Homerun connector | Male, M16 × 0.75 with cable, Side exit |
| Connector B | M16 × 0.75, Straight |
| Number of contacts | 14 |
| Contacts | Brass, CuSn, Gold-plated |
| Contact carriers | Plastic, TPU, Black |
| Connector body | Plastic, TPU, Yellow |
| Coupling nut | Brass, CuZn, Nickel-plated |

Features



- Housing material: Nylon
- Housing color: Black
- Fully encapsulated
- Protection class: IEC: IP67
- RoHS compliant
- CE compliant
- I/O port: 3-pin
- General Purpose Cable
- Black PVC jacket, shielded, 12X24 AWG
- -40 Cold Bend Rating
- Flame Ratings: UL1061, CSA FT1
- Cable length: 0.2 m

Cable cross section



TB-8M8M-3-0.2-BSM14 | 09/20/2022 21-04 | technical changes reserved

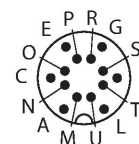
Technical data

| | |
|---|--|
| Mechanical life | > 100 Mating cycles |
| Pollution degree | 3 |
| Protection class (When coupled) | IP67 |
| Cable data | |
| Cable ID | RF50755 |
| Total number of conductors | 12 |
| Cable diameter | Ø 6.73 mm |
| Length (L) | 0.2 m, (+50mm or 4% of length/-0.0, Whichever is greater) |
| Cable jacket | PVC, Black |
| Shield | Aluminum/polyester (IN) |
| Cable drain | 26 AWG, TC (Tinned Copper) |
| Conductor diameter | 0.044 " |
| Conductor material | TC (tinned copper) |
| Conductor insulation material | PVC |
| Conductor size | 12 x 24 AWG [Similar to 0.25 mm ²] |
| Number of strands x O.D. | 19 x 36 AWG |
| Conductor colors | BU, PK, BN, RD, GN, OG, TN, GY, VT, YL, BK, WH |
| Electrical properties at +20 °C | |
| Rated voltage | 30 VDC |
| Rated voltage | DC VDC |
| Current | 2 A per signal contact, total current 6 A |
| Mechanical and chemical properties | |
| Bending radius (static) | ≥ 5 x Ø |
| Bending radius (dynamic) | ≥ 15 x Ø |
| UL cold bend rating | -40 °C |
| Ambient temperature range (static) | -40 °C...+85 °C |
| Ambient temperature range (dynamic) | 5 °C...+85 °C |
| Temperature range (installation) | -10 °C...+85 °C |
| Approval | |
| Approvals | CE UKCA RoHS |
| Note | |
| | - Flex ratings may be reduced if used in extreme temperatures, exposure to certain chemicals, operating above the rated cycle speed, or operating below the rated cable bend radius. |

Contact assignment

I/O Connector

Homerun connector



Technical data

- We reserve the right to make technical alterations without prior notice.

Scope of delivery

| Device | Quantity | Description |
|----------------|----------|---------------------------------------|
| Junction boxes | 1 | Passive actuator/sensor junction box |
| PSGK-MC | 2 | Closure caps for M8 female connectors |
| KS5/10 | 9 | Labels |

Accessories

| Ident-No. | Part Number | Description |
|-----------|--------------------------------------|--|
| U0915-15 | BKM 14-836-5 | Connection cordset, female, M16, 14-pin, straight, 5m * (homerun) |
| 100021084 | BKM 14-755A-5 | Connection cordset, female, M16, 14-pin, straight, 5m * (homerun) (power pair) |
| U2-07158 | BK 14-0 | Field-wireable, female, M16, 14-pin, straight (6-8mm) |
| A1050 | KS 5/10 (10/LABELS) | Labels |
| U0135-6 | PSG 3M-2 | Cordset, male, M8x1, 3-pin, straight, 2m * (I/O port) |
| U0136-4 | PSW 3M-2 | Cordset, male, M8x1, 3-pin, right-angle, 2m * (I/O port) |
| U6427 | PSGM-CC (8/BAG) | Dust cap, male, M8x1, (8/BAG) |
| A900154 | TORQUE-WRENCH-SET-M12&M8-LEGACY | Torque wrench set, Torque driver, torque setting tool, M12 fitting, M8 fitting. |
| A900102 | PICOBX ADAPTOR PLATE, 8 PORT (1PACK) | For mounting new style picobox to existing mounting holes. Allows new picobox to utilize the previous version mounting hole locations. |

* Other lengths available on request

Circuit Diagram

